



DOMETIC BRISK II COMMERCIAL GRADE

15,000 BTU ROOFTOP AIR CONDITIONER, DUCTED OR NON-DUCTED APPLICATION



Dometic Brisk II Commercial Grade rooftop air conditioners are performance tested to withstand harsh road and weather conditions. These rugged air conditioners are intended for mobile commercial applications as well as remote location cooling.



LASTING STRENGTH

Stainless steel components for long lasting strength



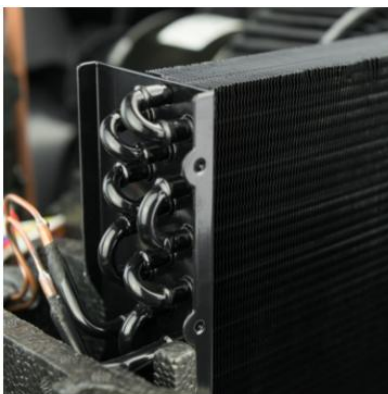
VIBRATION TESTED

Motor, compressor and evaporator bracketed together for durability



SOUND DAMPENING

Rubber bushings and EPP foam dampen vibrations and noise



E-COATED COILS

Coils are e-coated for lasting strength

... AND MORE

- Custom designed blower wheel for maximum airflow
- EPP foam housing reduces weight
- Stainless steel components for longevity
- UV protected custom composite laminated shroud
- Three cooling speeds: High, Medium, Low

SPECIFICATIONS

GENERAL

- SKU number 9600005532
- Model Brisk II Commercial
- Model on label B79516.XX1C0
- Scope of delivery 1 Air conditioner, 1 warranty card
- Product Description 15,000 BTU Rooftop Air Conditioner, ducted or non-ducted application
- No reverse cycle

DIMENSIONS

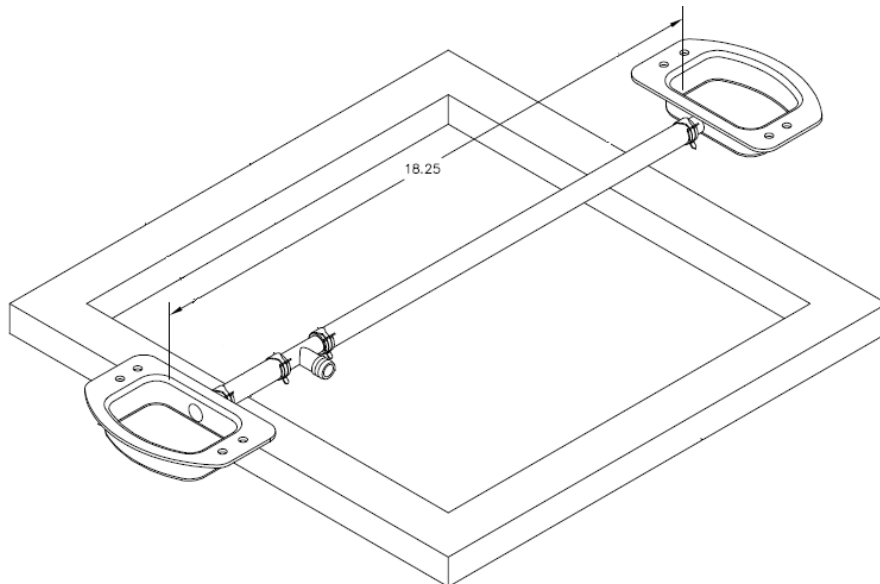
- Dimensions product depth 27 5/8 "
- Dimensions product height 13.87 "
- Dimensions product width 29.63 "
- Net weight 78.50 lbs

ELECTRICAL

- Input voltage (AC) 115 V
- Input frequency 60 Hz

OPTIONS

- Air Distribution Kit, P/N 3314851
- 1kW Electric Heat Kit, P/N 3314998
- Condensate Drain Kit, P/N 3107688.016



Dometic engineers have spent two years completely redesigning and reengineering one of the most popular and most imitated RV air conditioners.

WELCOME TO THE ALL-NEW ...

BRISK II

A Revolution in RV A/C Technology!

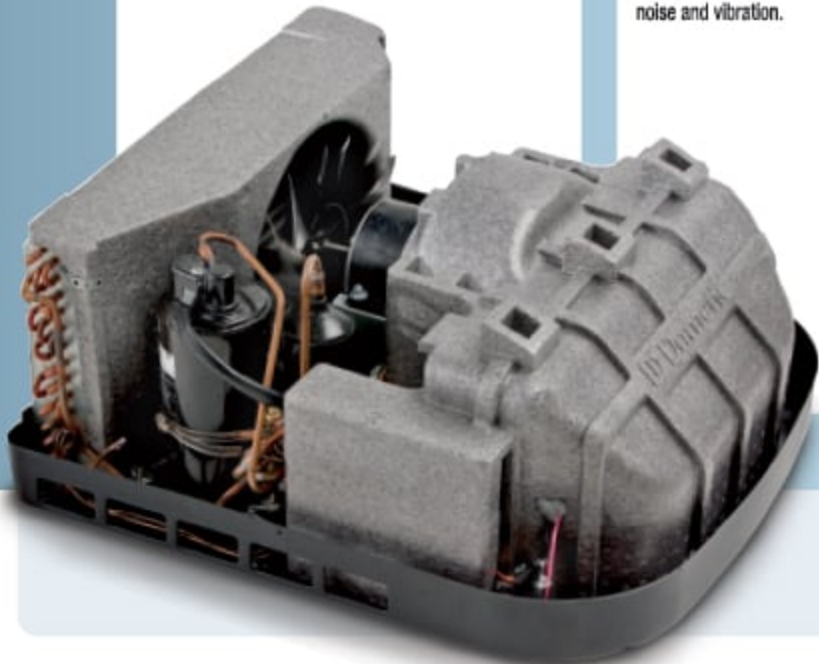
Cooler ... stronger ... quieter ... lighter ... the Brisk II puts it all together for an all-new, best-in-class RV A/C, starting with 15 percent increased air flow and improved cooling capacity!

Reengineered where it matters

Heavy-duty motor support brackets, reinforced mounting screw holes, and thick structural EPP foam housings all help create a sturdier, more reliable A/C unit. The compressor and motor are mounted with rubber isolation pads and grommets to reduce vibration.

Hi-tech materials

Used by automotive and aircraft engineers, EPP (Expanded Polypropylene) foam makes Brisk II lighter, better insulated, and more aerodynamic, while adding structural integrity and reducing noise and vibration.



Durable design

SLEEK SHROUD

Sleek new shroud offers better ventilation, more strength and superior aerodynamic performance.



ALL-NEW BASE PAN

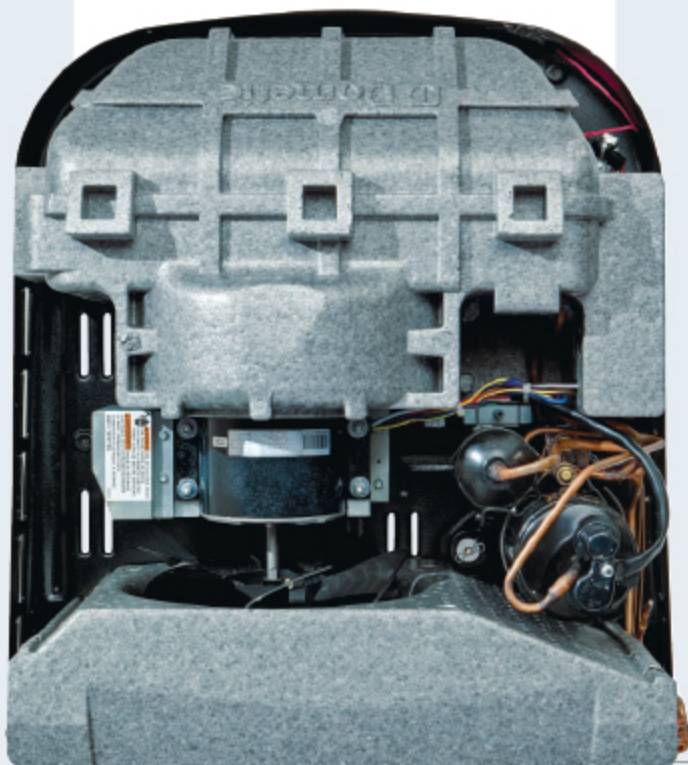
Three-inch deep-drawn G90 carbon steel has an extra smooth powder-coated finish for long-lasting durability against rust and corrosion.



Ten percent greater strength and rigidity is achieved through a heavier gauge metal pan with ribbed areas and reinforced vent holes. More platform stability adds to the life cycle.



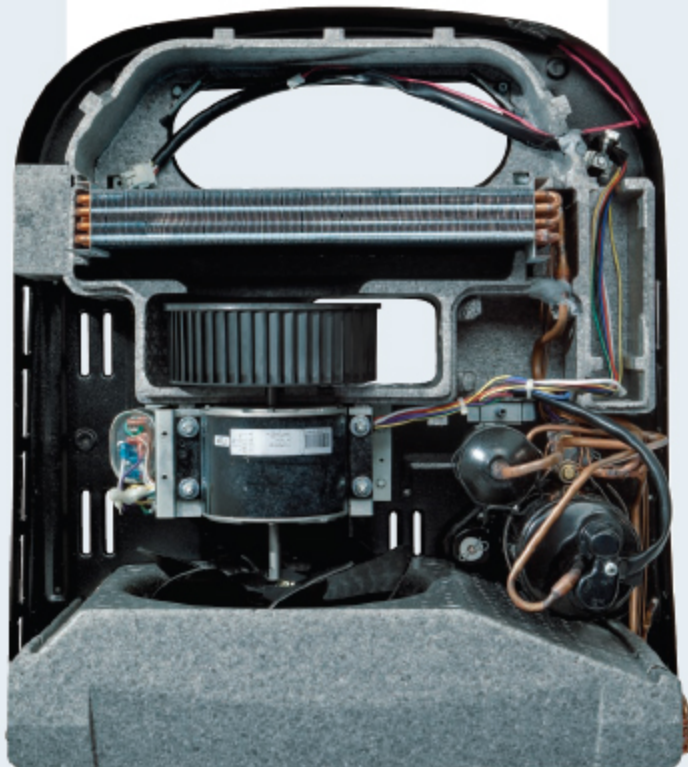
More structure, less weight.



27.23 INCHES

29.18 INCHES

Tighter tolerances, more air.



Smart design

SMALLER CARBON FOOTPRINT

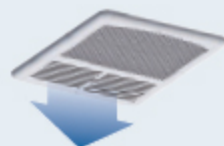
Smart design, tighter specification allowances, and improved materials create energy efficiencies that reduce operating costs and environmental footprint while improving fit and finish.



High performance

BENCHMARK TESTING

Rigorously tested to confirm it outperforms every competitor in all significant parameters, Brisk II is best-in-class of any standard rooftop A/C for weight, air flow and capacity for RVs.



COLD-SHOT™ TECHNOLOGY

New air distribution box and return air grill incorporate exclusive Cold Shot™ technology that temporarily circumvents the RV's air duct to deliver a sturdy blast of cold air directly into the immediate interior and optimize air flow and capacity.



ADVANCED COIL DESIGN

Hydrophilic Coating on coils enhances high performance and protects against corrosion in high temperatures.



QUIETER TOO!

High performance motor with sound dampening bracket design turns down the buzz.

EASY INSTALLATION, MAINTENANCE

Just four fasteners allow for quick and easy shroud removal. Top-mount installation and maintenance is quicker and easier.

