

HTS-VG VacuFlush® Holding Tanks

Complete VacuFlush® Tank Systems In One Package

Virtually any boat from 25 feet (7.6 m) can feature a completely integrated VacuFlush toilet system by virtue of HTS-VG series holding tank systems. Our range of popular tank sizes and choice of convenience options make VacuFlush systems the most installer- and user-friendly toilet systems in motor yachts and other pleasure boats.

HTS-VG VacuFlush Holding Tank Systems

- 12 standard, full-featured models for easy specifying and installing
- Corrosion-proof, leak-proof, odor-proof – high-density polyethylene tank construction
- “Whisper-quiet” vacuum and discharge* pump operation
- All components are pre-wired, pre-plumbed, pre-tested
- Easy to install – no solvent-bond connection required
- ISO/USCG compliant tanks

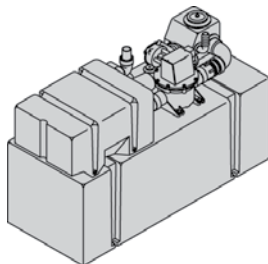
* Discharge pump not included with every HTS-VG model



28 HTS-VG

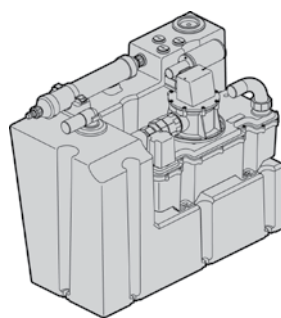
10 HTS-VG

Height: 16 in./406 mm Item: 322711012 – 12V
 Width: 10.875 in./276 mm Item: 322101024 – 24V
 Length: 32.375 in./822 mm



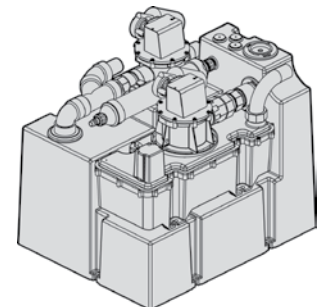
18 HTS-VG

Height: 23 in./584 mm Item: 322711812 – 12V
 Width: 15.25 in./387 mm Item: 322011824 – 24V
 Length: 29.125 in./740 mm



21 HTS-VG

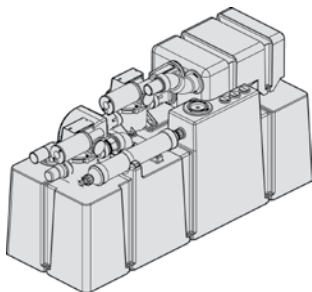
Height: 22 in./559 mm Item: 322702112 – 12V
 Width: 20 in./508 mm Item: 322702124 – 24V
 Length: 25 in./635 mm



Dimensions include height of fittings and accessories

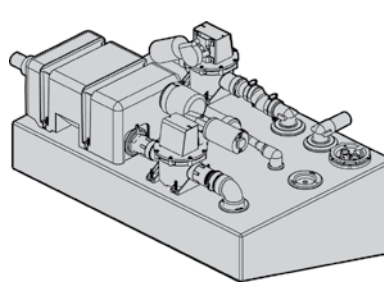
27 HTS-VG

Height: 21.375 in./543 mm Item: 322712712 – 12V
 Width: 14.75 in./375 mm Item: 322712724 – 24V
 Length: 42 in./1067 mm



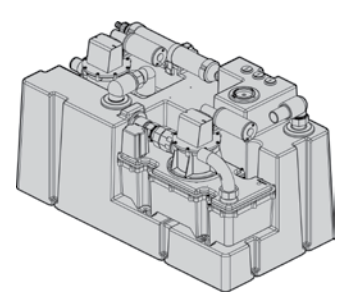
28 HTS-VG-HL

Height: 19.625 in./498 mm Item: 322722812 – 12V
 Width: 24.25 in./616 mm Item: 322722824 – 24V
 Length: 38.5 in./978 mm



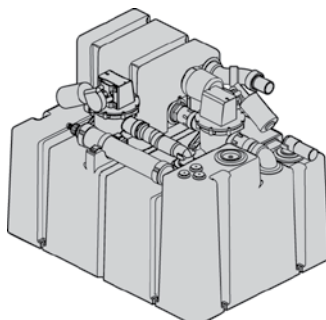
28 HTS-VG

Height: 19.75 in./502 mm Item: 322712812 – 12V
 Width: 19.25 in./489 mm Item: 322712824 – 24V
 Length: 36.75 in./933 mm



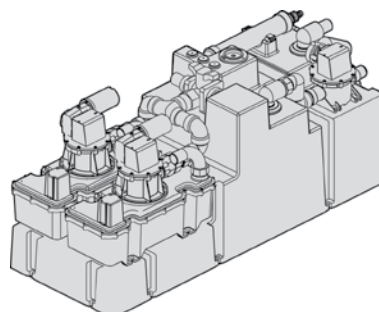
35 HTS-VG

Height: 21.5 in./546 mm
 Width: 22.5 in./572 mm
 Length: 32 in./813 mm
 Item: 322713512 – 12V
 Item: 322013524 – 24V



39 HTS-VG (for 2 VacuFlush toilets)

Height: 21.5 in./546 mm
 Width: 18.5 in./470 mm
 Length: 51 in./1295 mm
 Item: 322703912 – 12V
 Item: 322703924 – 24V



HTS-VG Series VacuFlush Holding Tank System Technical Specifications

MODEL	CAPACITY (GAL./LITERS)	EMPTY WEIGHT (LBS./KG)	MAX. WEIGHT (LBS./KG)	VACUUM GENERATOR (QTY)	OUTLETS (QTY)	DISCHARGE PUMP	VENT FILTER
10 HTS-VG	10 / 38	36 / 16.3	116 / 52.6	1	1	–	–
18 HTS-VG	18 / 68	39 / 17.7	183 / 83	1	1	–	included
21 HTS-VG	21 / 80	52 / 24	220 / 100	1	2	included	included
27 HTS-VG	27 / 102	56 / 25.4	272 / 123	1	2	included	included
28 HTS-VG	27.5 / 104	56.5 / 25.6	277 / 126	1	2	included	included
28 HTS-VG-HL	28 / 106	56.5 / 25.6	281 / 128	1	2	included	included
35 HTS-VG	35 / 132	58 / 26.3	338 / 153	1	2	included	included
39 HTS-VG	39 / 148	84 / 38	396 / 180	2	2	included	included
40 HTS-VG	40 / 151	80 / 36.4	440 / 200	2	2	included	included
42 HTS-VG	42 / 159	70 / 31.8	406 / 184	1	2	included	included
55 HTS-VG	55 / 208	90 / 40.8	530 / 240	2	2	included	–
80 HTS-VG	80 / 302	90 / 40.8	730 / 331	2	2	included	–

All HTS-VG models shown here include DTM04 four-level tank monitor system and TankSaver relief valve.
 All vacuum generators include VacuFlush shutdown relay.
 Available in 12 V and 24 V DC systems. Specifications subject to change without notice.

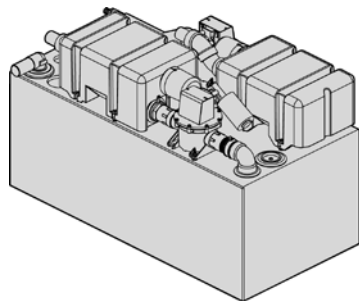
HTS-VG System Requirements

		VACUUM GENERATOR*	DISCHARGE PUMP*	DTM04 TANK MONITOR
ELECTRICAL	Power draw (avg.)	6 amps/12 V DC 3 amps/24 V DC	6 amps/12 V DC 3 amps/24 V DC	0.15 amp/12 V DC 0.09 amp/24 V DC
	Circuit breaker/fuse	10 amps/12 V DC 5 amps/24 V DC	10 amps/12 V DC 5 amps/24 V DC	1 amp/12 V DC 1 amp/24 V DC
INLET PLUMBING	ID	1.5 in./38 mm sanitation hose or PVC pipe		
	Horizontal run	50 ft./15.2 m max. from toilet discharge		
	Vertical run	6 ft./1.8 m max. from toilet discharge		
DISCHARGE PLUMBING	ID	1.5 in./38 mm sanitation hose or PVC pipe		
	Horizontal run**	30 ft./9.1 m max. to discharge fitting		
	Vertical run**	6 ft./1.8 m max. to discharge fitting		
VENT HOSE	ID	5/8 in./16 mm sanitation hose		
REQUIRED COMPONENT	VacuFlush toilet †			

* Requires separate circuit breaker or fuse.

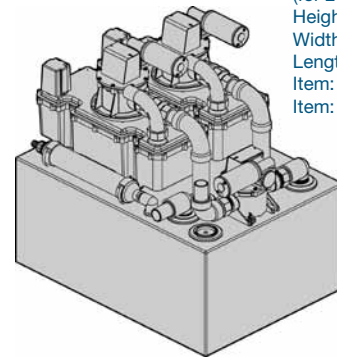
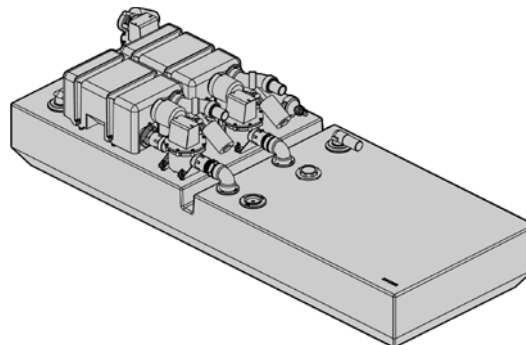
** For models with T series discharge pump.

† Purchased separately. Electronic-flush VacuFlush toilets require separate electrical circuit. Refer to toilet specifications.
 Specifications subject to change without notice.



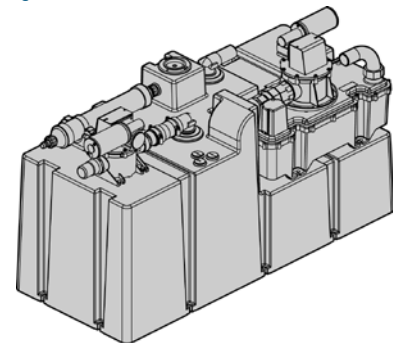
55 HTS-VG (for 2 VacuFlush toilets)
 Height: 24 in./610 mm
 Width: 21.5 in./546 mm Item: 322715512 – 12V
 Length: 40 in./1016 mm Item: 322715524 – 24V

80 HTS-VG (for 2 VacuFlush toilets)
 Height: 17.5 in./445 mm
 Width: 28 in./711 mm Item: 322718012 – 12V
 Length: 76 in./1930 mm Item: 322718024 – 24V



40 HTS-VG
 (for 2 VacuFlush toilets)
 Height: 28.5 in./724 mm
 Width: 22 in./559 mm
 Length: 32 in./813 mm
 Item: 322714012 – 12V
 Item: 322714024 – 24V

42 HTS-VG
 Height: 25.25 in./641 mm Item: 322714212 – 12V
 Width: 18 in./457 mm Item: 322714224 – 24V
 Length: 44.5 in./1130 mm



Dimensions include height of fittings and accessories

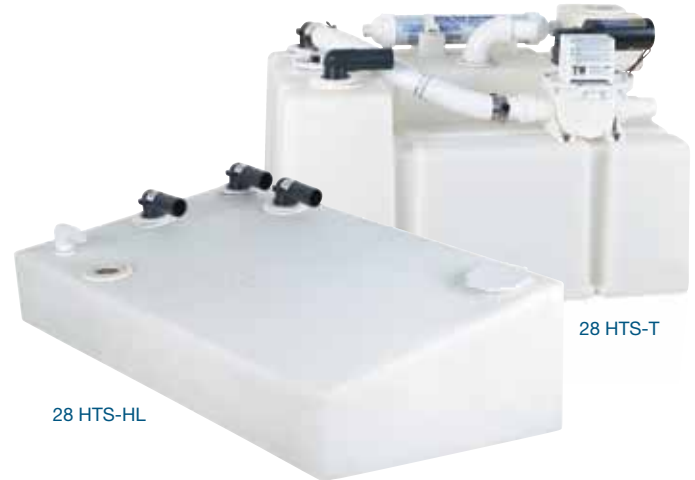
HTS SeaLand® Holding Tank Systems

Odor-Free, Premium-Quality Performance

Boatowners can now realize the benefits of a user-friendly, properly-sized holding tank in virtually any Type III MSD system with this wide selection of SeaLand holding tank systems. Both HTS-T and Basic series use top-mounted fittings and diptube discharge plumbing to prevent potential leaks. Multiple discharge outlets eliminate need for complex plumbing and extra discharge line connections.

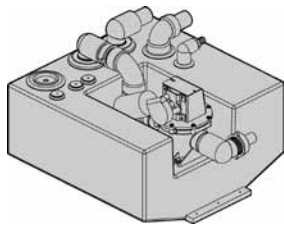
HTS-T and Basic Series SeaLand Holding Tank Systems

- HTS-T models include T series discharge pump
- Corrosion-proof, leak-proof, odor-proof – high-density polyethylene tank construction
- “Diptube-style” discharge fittings for thorough, leak-proof pump-out
- All components pre-plumbed, pre-tested
- Easy to install – no solvent-bond connection required
- ISO/USCG compliant tanks



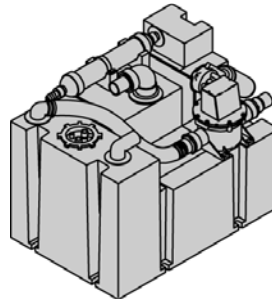
10 HTS-T

Height: 13.25 in./635 mm Item: 322721012 – 12V
 Width: 19.5 in./495 mm Item: 322721024 – 24V
 Length: 23.375 in./594 mm



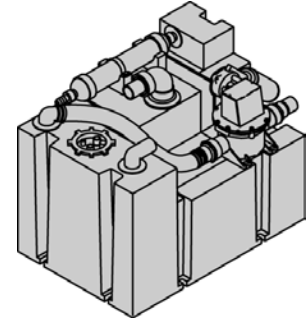
28 HTS-T

Height: 19.5 in./495 mm Item: 322012812 – 12V
 Width: 19 in./483 mm Item: 322012824 – 24V
 Length: 30 in./762 mm



40 HTS-T

Height: 20 in./508 mm Item: 322014012 – 12V
 Width: 21 in./533 mm Item: 322014024 – 24V
 Length: 35 in./889 mm



HTS-T Series SeaLand Holding Tank System Technical Specifications

MODEL	CAPACITY (GAL./LITERS)	EMPTY WEIGHT (LBS./KG)	MAX. WEIGHT (LBS./KG)	OUTLETS (QTY)	VENT FILTER
10 HTS-T	10 / 38	18 / 8.2	98 / 40.9	2	–
28 HTS-T	28 / 106	40 / 18	260 / 118	2	included
40 HTS-T	40 / 151	44 / 20	364 / 165	2	included

Dimensions include height of fittings and accessories

All HTS-T models shown here include SeaLand T-series discharge pump, DTM04 four-level tank monitor system, and TankSaver relief valve. Available in 12 V and 24 V DC systems. Specifications subject to change without notice.

HTS-T Series System Requirements

		DISCHARGE PUMP*	DTM04 TANK MONITOR
ELECTRICAL	Power draw (avg.)	6 amps/12 V DC 3 amps/24 V DC	0.15 amp/12 V DC 0.09 amp/24 V DC
	Circuit breaker/fuse	10 amps/12 V DC 5 amps/24 V DC	1 amp/12 V DC 1 amp/24 V DC
INLET PLUMBING	ID	1.5 in./38 mm sanitation hose or PVC pipe	

DISCHARGE PLUMBING	ID	1.5 in./38 mm sanitation hose or PVC pipe
	Horizontal run	30 ft./9.1 m max. to discharge fitting
	Vertical run	6 ft./1.8 m max. to discharge fitting
VENT HOSE	ID	5/8 in./16 mm sanitation hose

* Requires separate circuit breaker or fuse. Specifications subject to change without notice.

HTS-Basic Series SeaLand Holding Tank System Technical Specifications

MODEL	CAPACITY (GAL./LITERS)	EMPTY WEIGHT (LBS./KG)	MAX. WEIGHT (LBS./KG)
12 HTS-VRT	11 / 42	20 / 9.1	108 / 49
12 HTS-HRZ	11 / 42	20 / 9.1	108 / 49
12 HTS-HL	12 / 45	22 / 10	118 / 53.5
15 HTS-VRT	15 / 57	25 / 11.3	145 / 65.8
15 HTS-HRZ	15 / 57	25 / 11.3	145 / 65.8
20 HTS-VRT	18 / 68	27 / 12.2	171 / 77.6
20 HTS-HRZ	18 / 68	27 / 12.2	171 / 77.6
25 HTS-HRZ	25 / 94	31 / 14.1	231 / 105

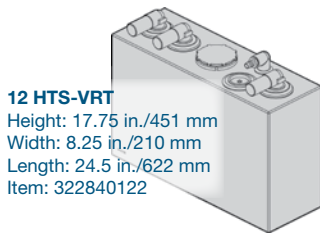
MODEL	CAPACITY (GAL./LITERS)	EMPTY WEIGHT (LBS./KG)	MAX. WEIGHT (LBS./KG)
28 HTS-HL	28 / 106	37 / 16.8	261 / 118
30 HTS-HRZ	28 / 106	37 / 16.8	261 / 118
35 HTS-HL	35 / 132	38 / 17.2	318 / 144
40 HTS-HRZ	34 / 129	41 / 18.6	313 / 142
50 HTS-VRT-HL	50 / 189	53 / 24	453 / 205
50 HTS-HRZ-HL	50 / 189	53 / 24	453 / 205
55 HTS-HRZ	55 / 208	53 / 24	493 / 224
80 HTS-HRZ	80 / 302	54 / 24.5	694 / 315

All HTS Basic models include two discharge outlets and a TankSaver relief valve. Specifications subject to change without notice.

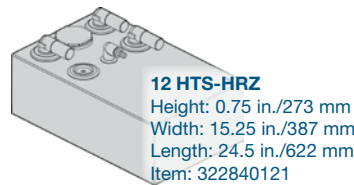
HTS-Basic Series System Requirements

INLET PLUMBING	ID	1.5 in./38 mm sanitation hose or PVC pipe
DISCHARGE PLUMBING	ID	1.5 in./38 mm sanitation hose or PVC pipe
VENT HOSE	ID	5/8 in./16 mm sanitation hose

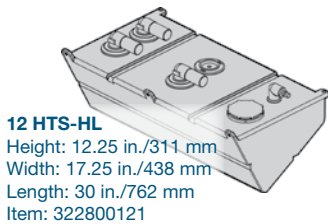
Specifications subject to change without notice.



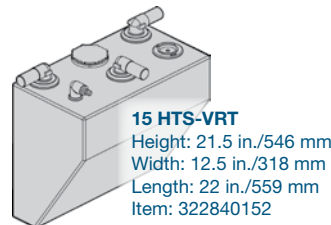
12 HTS-VRT
Height: 17.75 in./451 mm
Width: 8.25 in./210 mm
Length: 24.5 in./622 mm
Item: 322840122



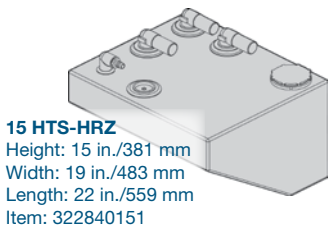
12 HTS-HRZ
Height: 0.75 in./273 mm
Width: 15.25 in./387 mm
Length: 24.5 in./622 mm
Item: 322840121



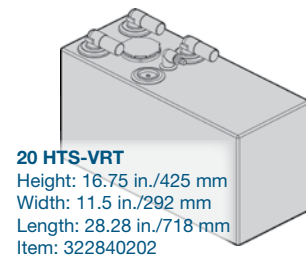
12 HTS-HL
Height: 12.25 in./311 mm
Width: 17.25 in./438 mm
Length: 30 in./762 mm
Item: 322800121



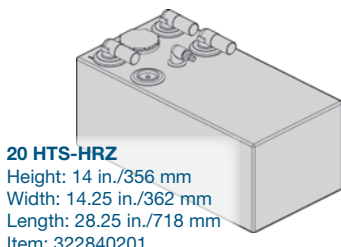
15 HTS-VRT
Height: 21.5 in./546 mm
Width: 12.5 in./318 mm
Length: 22 in./559 mm
Item: 322840152



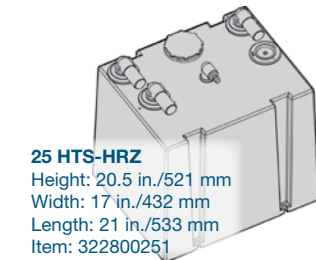
15 HTS-HRZ
Height: 15 in./381 mm
Width: 19 in./483 mm
Length: 22 in./559 mm
Item: 322840151



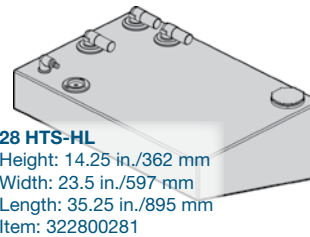
20 HTS-VRT
Height: 16.75 in./425 mm
Width: 11.5 in./292 mm
Length: 28.28 in./718 mm
Item: 322840202



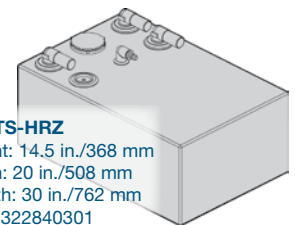
20 HTS-HRZ
Height: 14 in./356 mm
Width: 14.25 in./362 mm
Length: 28.25 in./718 mm
Item: 322840201



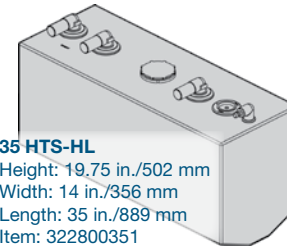
25 HTS-HRZ
Height: 20.5 in./521 mm
Width: 17 in./432 mm
Length: 21 in./533 mm
Item: 322800251



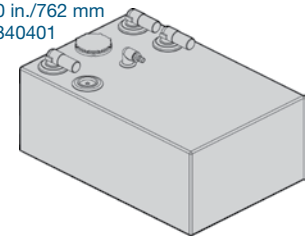
28 HTS-HL
Height: 14.25 in./362 mm
Width: 23.5 in./597 mm
Length: 35.25 in./895 mm
Item: 322800281



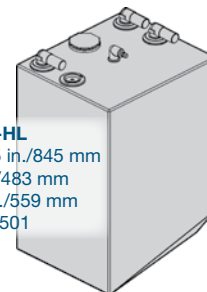
30 HTS-HRZ
Height: 14.5 in./368 mm
Width: 20 in./508 mm
Length: 30 in./762 mm
Item: 322840301



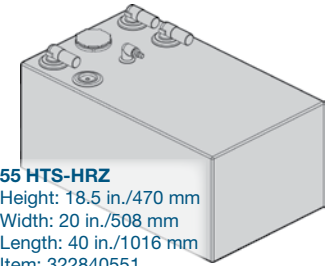
35 HTS-HL
Height: 19.75 in./502 mm
Width: 14 in./356 mm
Length: 35 in./889 mm
Item: 322800351



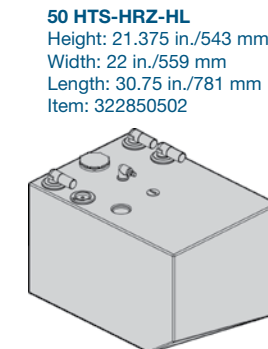
40 HTS-HRZ
Height: 16 in./406 mm
Width: 21.75 in./552 mm
Length: 30 in./762 mm
Item: 322840401



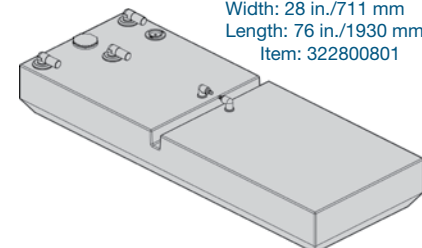
50 HTS-VRT-HL
Height: 33.25 in./845 mm
Width: 19 in./483 mm
Length: 22 in./559 mm
Item: 322850501



55 HTS-HRZ
Height: 18.5 in./470 mm
Width: 20 in./508 mm
Length: 40 in./1016 mm
Item: 322840551



50 HTS-HRZ-HL
Height: 21.375 in./543 mm
Width: 22 in./559 mm
Length: 30.75 in./781 mm
Item: 322850502



80 HTS-HRZ
Height: 12.5 in./318 mm
Width: 28 in./711 mm
Length: 76 in./1930 mm
Item: 322800801

Dimensions include height of fittings and accessories